

**Connecting
cost efficiency
and performance**



People. Passion. Performance.



Experience the new CPV60-100VS PM, CPV101-120VS PM & CPI75-120 screw compressors

Connecting cost efficiency and performance

The new range offers you excellent performance, plug-and-play installation and the reliability you can expect from the Chicago Pneumatic brand. The advanced connectivity adds intelligence to your compressor, allowing you to decrease operating costs further while increasing productivity.



Ready to discover our new compressors?

Improved performance

Built with the newest technology, our compressor range features IE4 motors which are the best in order to reach high performance and energy cost savings.

Known CP reliability

Our range has always been valued for their excellent reliability. This is also something you can expect from the new range, plus that little bit more.

Stay connected

The ES4000Touch controller gives you insight into the performance of your compressed air system – remotely and at any given moment – allowing you to make smarter use of your resources.

Main features



New air end

- The in-house designed compression element, combined with an IE4 efficiency motor, comes with increased performance, lower compression temperature and high reliability.
- The Free Air Delivery is increased up to +4% and power consumption is reduced by up to -3% thanks to the improved product selection and our in-house designed compressor element.
- Fit for environments with ambient temperatures of up to 46°C due to superior component design.



ES4000Touch

- An intuitive and easy-to-operate control system gives you an insight into the performance of your compressed air system – remotely and at any given moment.
- Controls the unit by maintaining the pressure between programmable limits.
- Protects the unit thanks to the programmed shutdown warnings.
- Maintains the unit thanks to our programmed service time interval meter, informing the customer when service is due.



Easy installation and service

- Effortless maintenance thanks to the easily removable panels and quick access to all service parts.
- Low maintenance costs.



Silencing baffle

- Guarantees reduced noise levels.
- Even more important when operating the compressor close to the point-of-use.



In-house designed components

- The spring-controlled unloader valve includes a more precise mechanism that allows to release excess pressure in a more reliable way.



Air quality

- A water separator drain comes as standard on units with an integrated dryer.
- Removes the condensate formed in the cooler as the compressed air is cooled.
- Improves the air quality.



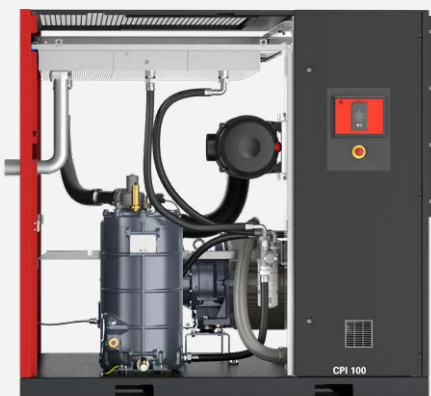
Integrated dryers

- The whole Industrial range is now available with integrated dryers.
- Internal Water Separator integrated in air cooler for machines with integrated dryer.



High efficiency motor

- IE4 Super Premium efficiency class.
- Oil-cooled PM – aircooled induction.
- IP66 protection against dust ingress.
- Introducing the 120Hp PM machine will complete the PM range.



Generous and smart cooling system

- Bigger air oil coolers have been selected, resulting in a high cooling capacity, maximum cooling efficiency and increased reliability.
- The large fan provides forced ventilation and conveyed flows, improving the air flow and reducing operating temperature for enhanced reliability.

10 reasons to choose Chicago Pneumatic

The CPV60-100VS PM, CPV101-120VS PM range is the result of dedicated investments in R&D and in-house developed key components. By maximizing performance, energy efficiency and reliability of each individual component we have ensured that the final result is our most innovative compressor to date.



1 Interior Permanent Magnet (iPM) motor

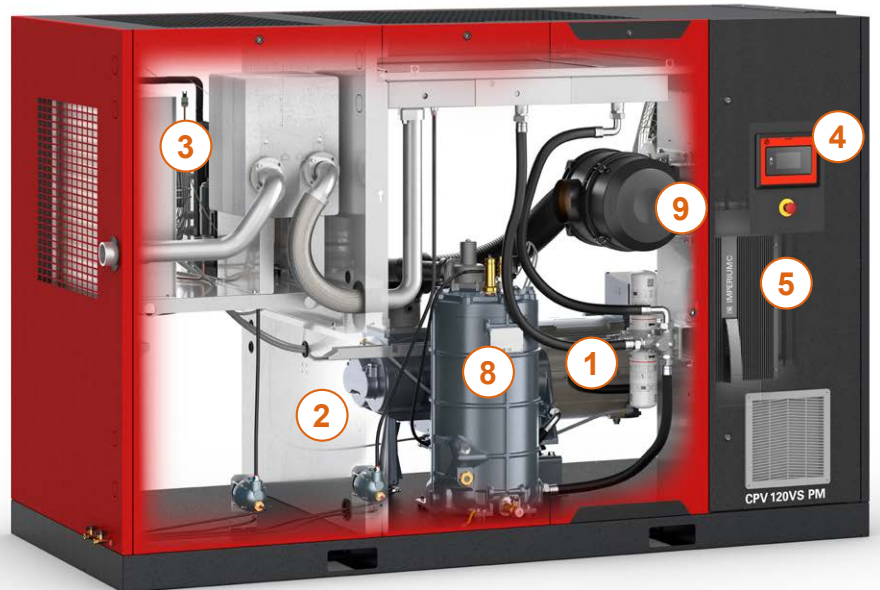
- IE4 Super Premium Efficiency.
- Oil-cooled, optimal cooling at all speeds.
- IP66, highest possible protection against dust ingress.
- In-house designed.

2 New generation screw elements

- Superior performance and efficiency.
- Improved rotor profile, reduced pressure losses.
- In-house designed and produced in Belgium.

3 Integrated dryer

- Enhanced air quality
- Condensate removal at the source, minimizing pipework corrosion
- Reduced footprint, up to 1/3 of a standalone dryer
- Single service visit, reducing maintenance cost
- No installation cost



4 ES4000Touch touchscreen controller

- Easy-to-use full-color graphical display with touchscreen.
- Integrated connectivity helps optimizing and save energy.
- In-house designed.

5 Imperium - Variable Speed Technology

- Robust industrial design with IP5X protection.
- Tailor-made for screw compressor applications.
- In-house designed.

6 Proven inlet valve

- Optimizing the inlet flow to the screw element.
- Maintenance-free, low total cost of ownership.
- In-house designed.

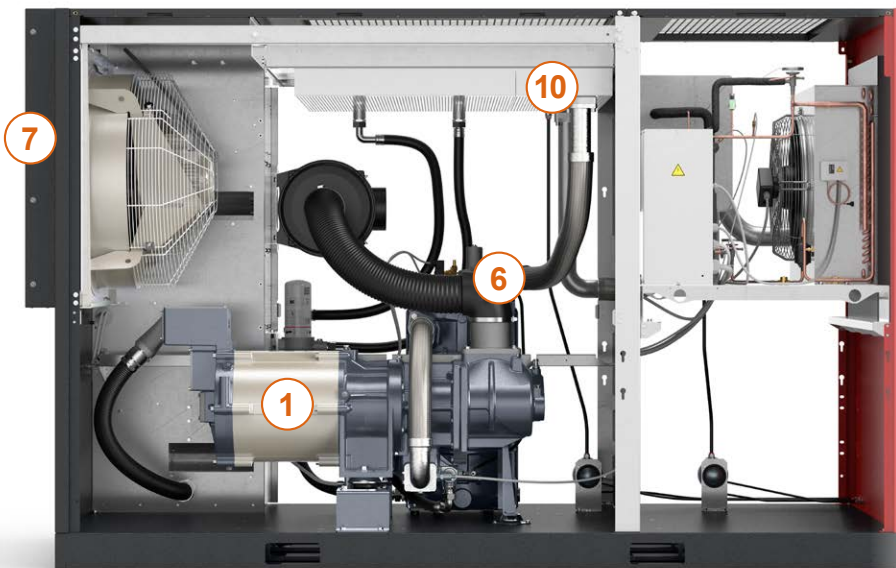
7 Solid inlet baffle

- Filters mats pre-filter incoming air, ensuring superior air quality.
- Highly efficient and low noise axial fan as standard.



8 Casted oil separator vessel

- Integrated minimum pressure valve (MPV) eliminates risk of leakage.
- Designed for optimal oil separation and low oil carry over.



9 Quality filtration

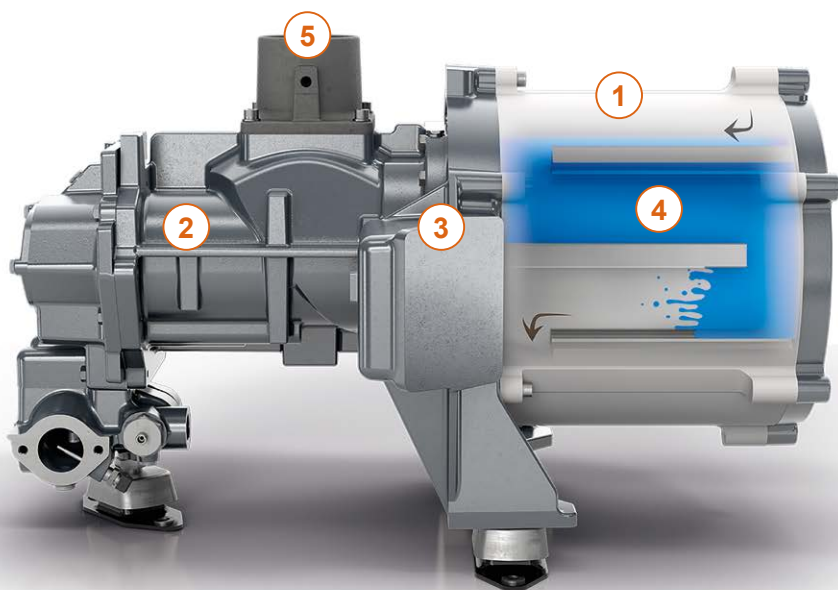
- Protecting internal components and increasing lifetime.
- Heavy duty air/oil/oil separator filters with long lifetime for low total cost of ownership.

10 Separate coolers

- Separate oil and air cooler for high-quality cooling and long lifetime of the coolers.
- Gliding rails for easy and safe removal.
- Easy access for cleaning.
- Integrated water separation for coolers used on machines with integrated dryers.



Revolutionary drive train technology



Improved energy efficiency saves you money

- In-house designed iPM motor (1) with IE4 Super Premium Efficiency.
- New generation in-house designed screw elements (2), with improved efficiency.
- Integrated direct drive transmission (3) for minimal losses.
- Smart inlet valve (5) optimizes the inlet flow and improves efficiency.

Increased reliability extends lifetime

- iPM motor (1) rated IP66, premium protection against dust and water ingress.
- Globally renowned screw elements (2), proven in thousands of installations.
- Optimal cooling at all speeds and conditions thanks to oil-cooling principle (4) of the iPM motor (1).

Maintenance-free design minimizes downtime and improves your productivity

- No (re)grease(ing) of the motor (1) bearing needed.
- Coupling-free direct drive design (3), no maintenance needed.
- Smart inlet valve (5), no maintenance needed.



A big leap in energy efficiency

Why energy efficiency?

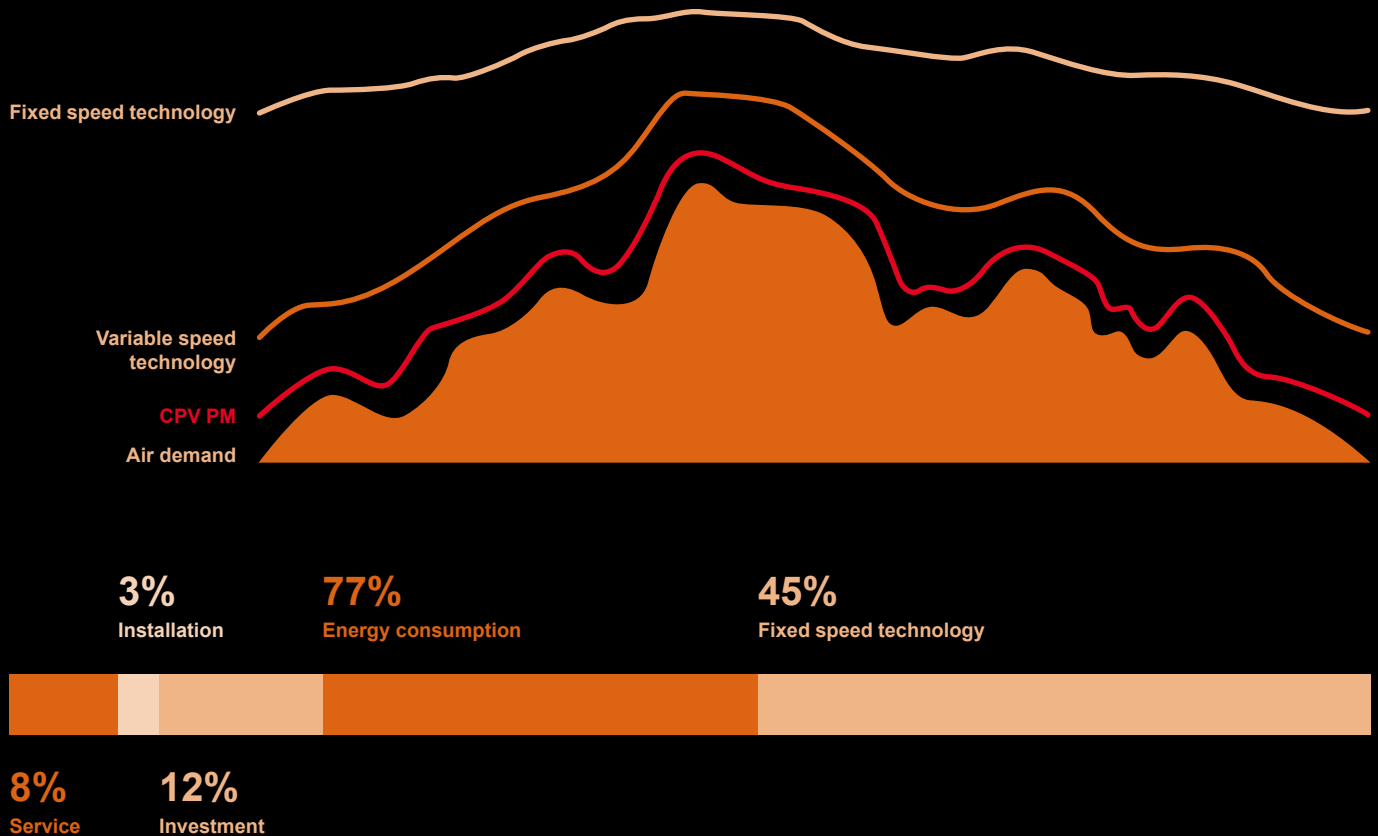
Energy costs represent about 70% of the total operating cost of your compressor over a 5-year period.

Why variable speed compressors?

By matching the air supply to the air demand, unload losses are avoided, and energy costs reduced on average by 30%.

Why invest in CPV PM?

Imperium variable speed technology combined with iPM motor technology and evolved the energy efficiency of variable speed compressors to a new level, resulting in energy savings of up to 45%.



How much energy could you save in your existing compressor installation?

Contact us for an energy audit. We will measure the air demand and energy consumption of your existing installation and generate a detailed report at the end. Based on your specific situation we can simulate and show how much your energy costs would reduce with CPV PM. If you would decide to invest in an CPV PM, you can expect a typical payback of 1-2 years.

Equipped with the ES4000Touch controller bringing you a next-level, rugged and intuitive display.

The new ES4000Touch is an incredible state-of-the-art compressor controller. But more than this, it means ease of use, peace of mind, and performance optimisation. In combination with our ICONS Intelligent Connectivity System, the ES4000Touch allows you to improve both the reliability and efficiency of your production process.

- ▶ Big, easy to use 4" touch control with a simplified lay-out
- ▶ The compressor is protected with sensors to immediately alert you when something is wrong
- ▶ Clear overview of all parameters and service intervals



- ▶ Plan maintenance interventions at the right time, guarantee system uptime and eliminate breakdown risks
- ▶ Designed for intuitive use in heavy duty environments

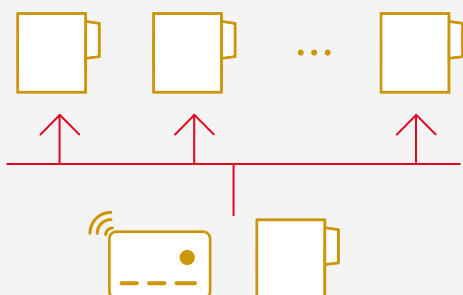


ICONS

Increased uptime, Powered by icons

With the Intelligent CONnectivity System (ICONS), data and insights are delivered straight from your machines to your computer, tablet or smartphone.

The new range of compressors can be fully connected.



EControl6i

The optional ECO6i controller allows you to optimize both workload and energy consumption.

Do you operate more than 2 compressors? The ES4000Touch can act as a master controller thanks to its built-in **EControl6i** functionality. Reduce service costs by evenly distributing running hours over your compressors and save energy by using one pressure band for your entire compressor room.

Built-in options



Air Quality

Integrated water separation drains

Ensures efficient condensate removal.

Tropical thermostatic valve

For use in humid and hot conditions.

Freeze protection

Guarantees a certain oil temperature in the oil vessel to avoid condensation.

Integrated refrigerant dryer

Removes water condensate from the compressed air, minimizing the risk of product spoilage in your application.

Energy Saving

Integrated energy recovery

Recovers up to 75% of the heat energy formed during the compression process, which can be used to heat up water for boilers, showers, etc.

ECO2i – ECO4i – ECO6i

Integrated multiple compressor control for up to 6 compressors reduces system pressure and energy consumption.



A range of options

- FULL FEATURE MACHINES
- WATERCOOLING
- WATER SEPARATION DRAIN - MECHANICAL (PACK ONLY)
- INTEGRATED ENERGY RECOVERY
- TEST REPORT
- WATER SEPARATION DRAIN - ELECTRONIC
- EXPANSION MODULE
- PREFILTER KIT
- POWER DUCT FAN - AC*
- OIL PREHEATER = FREEZE PROTECTION
- OIL - 4000H OIL FOOD GRADE
- ECO2i
- ECO4i
- ECO6i
- TROPICAL THERMOSTAT
- EMC FILTER
- COMPRESSOR RUNNING- L/ ULSIGNAL - REMOTE CONTROL

* Not on 120Hp

Performance data

FIXED SPEED CPI 75-120

Model CP	Max working pressure	Reference working pressure	Free air delivery @ reference conditions			Motor power		Noise level	Cooling air volume	Weight		Compressed air output diameter
										STD	PLUS	
	psi	psi	m³/h	l/s	cfm	kW	Hp	dB(A)	cfm	lbs	lbs	
CPI75	107	100	626	174	369	55	75	71	5551	2476	3155	2 ½"
	125	116	598	166	352	55	75	71	5551	2476	3155	2 ½"
	145	138	536	149	316	55	75	70	5551	2476	3155	2 ½"
	189	183	475	132	280	55	75	70	5551	2476	3155	2 ½"
CPI100	107	100	806	224	475	75	100	73	5551	2621	3329	2 ½"
	125	116	778	216	458	75	100	72	5551	2621	3329	2 ½"
	145	138	720	200	424	75	100	73	5551	2621	3329	2 ½"
	189	183	623	173	367	75	100	73	5551	2621	3329	2 ½"
CPI101	107	100	901	250	530	75	100	71	5551	2831	3539	2 ½"
	125	116	829	230	488	75	100	71	5551	2831	3539	2 ½"
	145	138	763	212	449	75	100	71	5551	2831	3539	2 ½"
	189	183	662	184	390	75	100	72	5551	2831	3539	2 ½"
CPI120	107	100	1021	284	601	90	120	72	7458	2967	3686	2 ½"
	125	116	976	271	574	90	120	71	7458	2967	3686	2 ½"
	145	138	911	253	536	90	120	73	7458	2967	3686	2 ½"
	189	183	770	214	453	90	120	71	7458	2967	3686	2 ½"

Available in 575V variant and with CRN approval

VARIABLE SPEED CPV 60-120VS PM

CP	Motor power		Working pressure	Min. Free air delivery (100psi)			Max. Free air delivery								
				7	7	7	7	7	9.5	9.5	9.5	12.5	12.5	12.5	
	kW	Hp	psi	m³/h	l/s	cfm	m³/h	l/s	cfm	m³/h	l/s	cfm	m³/h	l/s	cfm
CPV60VS PM	45	60	58-189	101	28	59	545	151	320	482	134	284	403	112	237
CPV75VS PM	55	75	58-189	104	29	61	657	183	387	576	160	339	490	136	288
CPV100VS PM	75	100	58-189	104	29	61	791	220	465	706	196	415	598	166	352
CPV101VS PM	75	100	58-189	169	47	100	936	260	551	835	232	492	688	191	405
CPV120VS PM	90	120	58-189	169	47	100	1069	297	629	950	264	559	767	213	451

CP	Noise level	Cooling air volume	Weight		Compressed air output diameter
			STD	PLUS	
	dB(A)	cfm	lbs	lbs	
CPV60VS PM	70	5551	2108	2787	2 ½"
CPV75VS PM	70	5551	2131	2810	2 ½"
CPV100VS PM	72	5551	2174	2882	2 ½"
CPV101VS PM	71	5551	2466	3174	2 ½"
CPV120VS PM	72	7458	2496	3215	2 ½"

Available with CRN approval



Since 1901, Chicago Pneumatic has delivered reliability with a deep understanding of customer needs. We are a global manufacturer of high-performance power tools, air compressors, generators, light towers, and hydraulic equipment for professional and industrial applications. Our products are engineered for performance and lasting customer value.

People. Passion. Performance. This is our promise.



At Chicago Pneumatic we have a passion for performance and long-lasting partnerships. Since 1901, we have been committed to reliability based on technology and trust.

A large, stylized graphic of a fingerprint, composed of numerous red, curved lines that form the ridges and valleys of a fingerprint, set against a black background.

People. Passion. Performance.

For more information, please contact your CP partner:

Use only authorized parts. Any damage or malfunction caused by the use of unauthorized parts is not covered by Warranty or Product Liability.

www.cp.com